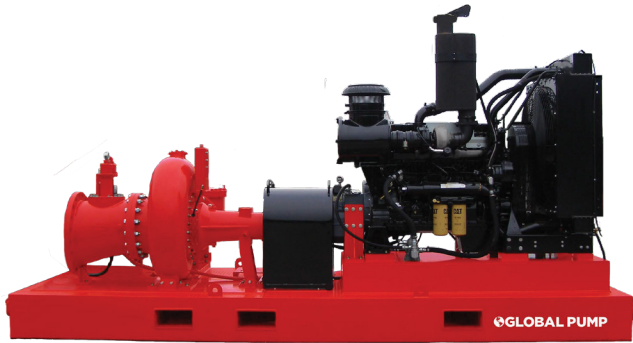


24GHT GLOBAL HIGH PERFORMANCE TRASH



Global Pump® High Performance Trash pumps are specifically designed to effectively handle a wide-range of liquids from water to sewage and sludge that can contain solids and other material.

Global Pump High Performance Trash pumps provide a dependable, highly efficient solution. The model 24GHT is capable of achieving maximum flows of 16,000 gpm (3,634 m³/h) and maximum total head of 237' (72.2 m) while handling solids up to 4.5" (114.3 mm) in diameter.

The standard 24GHT is powered by a water-cooled, 6-cylinder diesel engine. Alternative drives are available, including other diesel engines or electric motor options.

Features the Global Pump Auto Prime automatic priming system.

FEATURES

Global Pump's rugged, heavy duty pumps are engineered specifically for portable application.

Available with a variety of priming systems, including the Global Pump Auto Prime automatic priming system (compressor-fed venturi priming) or a diaphragm priming system.

Dry running mechanical seal.

Pump casings hydrostatically tested to 50 psig (345 kPa) above the peak casing design pressure.

Standard engine control panel provides preset emergency shutdown protection and allows the addition of automatic level control.

OPTIONS

Fuel tanks for extended run times and/or remote location as required.

Skid mounted or highway trailer with integral fuel cell/chassis, lights, fenders, tie downs, lifting bail, front and rear jacks.

Optional CD4MCu stainless steel for abrasion and corrosion resistance.

Global Pump SoundGuard sound attenuated enclosure options.

Hose racks, accessory containers and other custom features available as required.

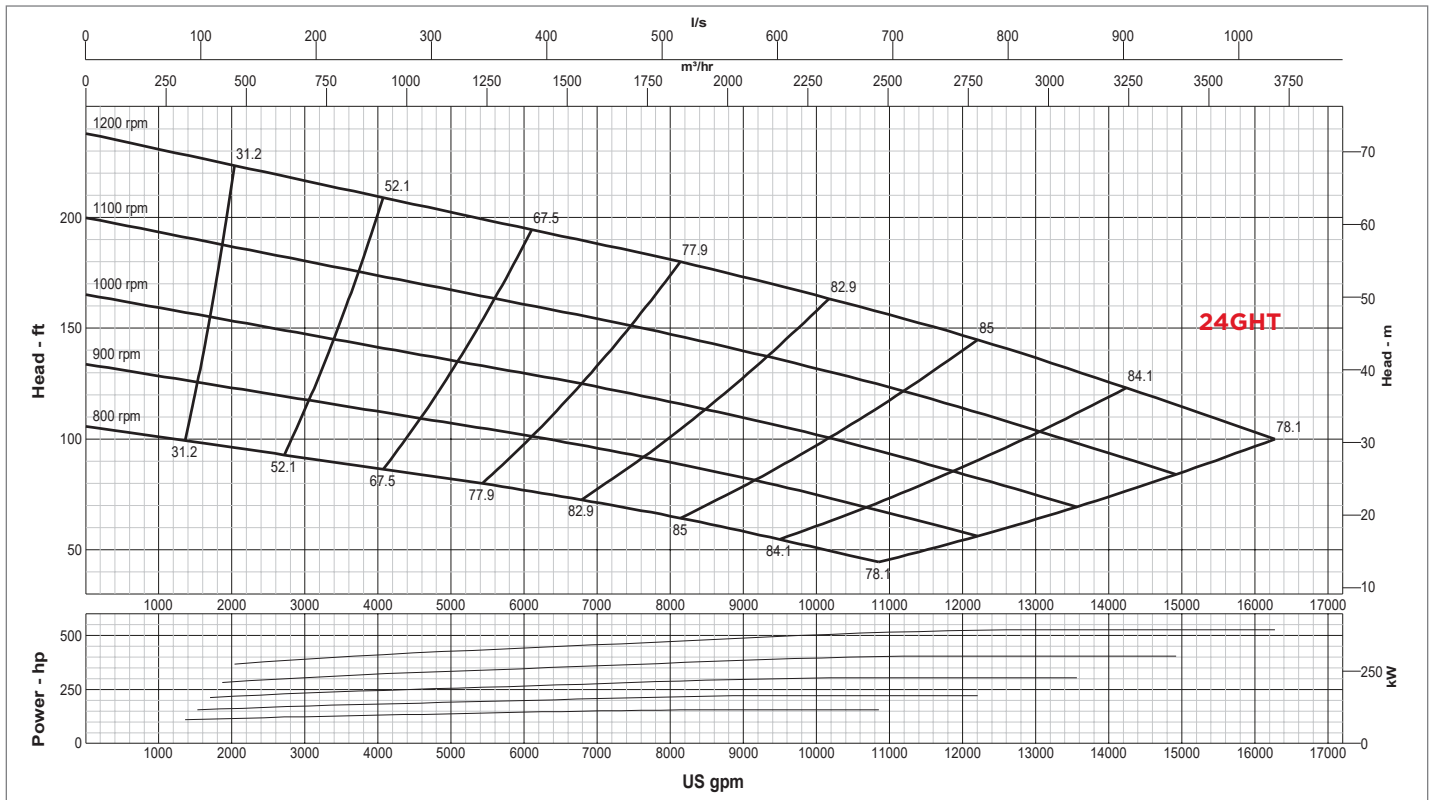
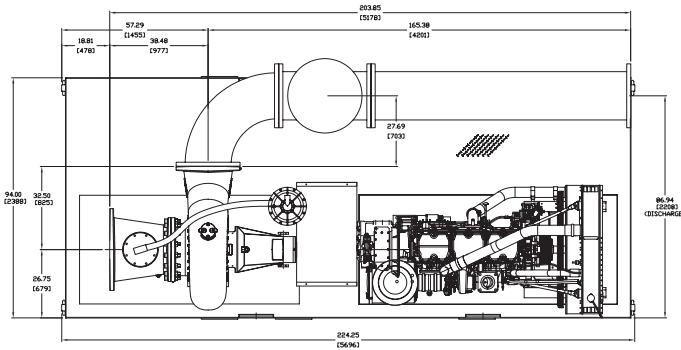
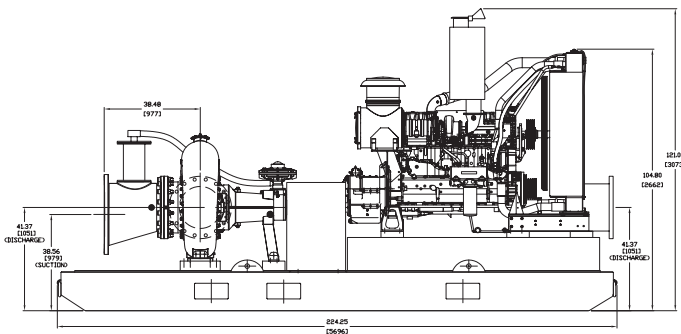
Wide range of suction and discharge fittings including Global Pump's own "QD" Quick Disconnect fittings and accessories.

SPECIFICATIONS

Connections	24" x 18" (600 mm x 450 mm) ANSI Flanges
Max Pump Speed	1,200 rpm
Max Flow	16,000 gpm (3,634 m ³ /h)
Max Head	237' (72.2 m)
Max Static Priming Lift	28' (8.5 m)
Temperature Limit	160°F (70°C)
Solids Handling Capability	4.5" (114.3 mm)
Max Casing Pressure	125 psig (862 kPa)
Fuel Cell	5 gallons (18.9 liters) Test Tank
Dry Weight	26,000 lbs

PUMP MATERIALS

Casing	Cast Iron (CD4MCu Option)
Impeller	Cast Iron (CD4MCu Option)
Bearing Housing	Cast Iron
Bearing Lubrication	Grease
Shaft/Shaft Sleeve	Steel/FNC Treated Steel
Seal	Silicon Carbide on Silicon Carbide
Chassis/Fuel Cell	Steel
Non-Return Valve	Nitrile Fitted Cast Iron



GLOBAL PUMP
10162 East Coldwater Road, Davison, MI 48423
Tel - 810.653.4828 Fax - 810.658.0632
1.866.360.PUMP
www.globalpump.com