

6GST SAE MOUNT GLOBAL STANDARD TRASH



Global Pump® Standard Trash pumps are specifically designed to effectively handle a wide range of liquids from water to sewage and sludge that can contain solids and other material.

The model 6GST SAE Mount is capable of achieving maximum flows of 3,000 gpm (681 m³/h) and maximum total head of 202' (61.6 m), while handling solids up to 3" (75 mm) in diameter. L³/D⁴ ratio of the pump is 7.2.

The standard 6GST SAE Mount is SAE flange mounted to a water-cooled, 4-cylinder diesel engine. Alternative drives are available including electric motors.

Global Pump's unique front pullout cartridge seal provides ease of maintenance as it can be quickly changed in the field, thereby reducing downtime and expense.

Features the Global Pump Auto Prime automatic priming system.

FEATURES

Global Pump's rugged, heavy duty pumps are engineered specifically for portable application.

Available with a variety of priming systems, including the Global Pump Auto Prime automatic priming system (compressor-fed venturi priming) or a diaphragm priming system.

Dry running mechanical seal.

Pump casings hydrostatically tested to 50 psig (345 kPa) above the peak casing design pressure.

Standard engine control panel provides preset emergency shutdown protection and allows the addition of automatic level control.

Close coupled SAE mounted to engine.

OPTIONS

Fuel tanks for extended run times and/or remote location as required.

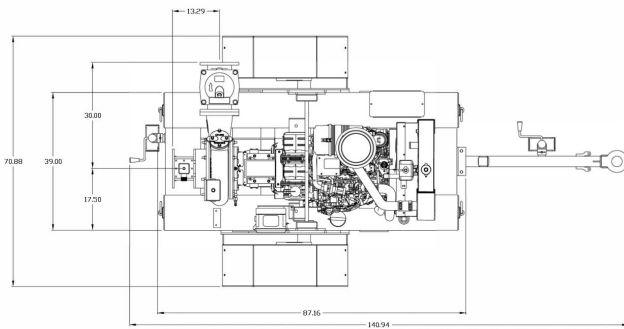
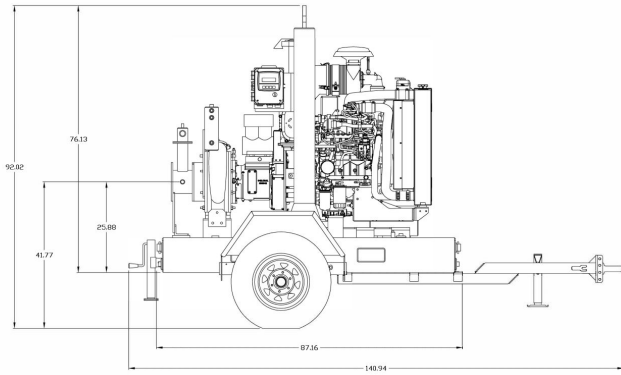
Skid mounted or highway trailer with integral fuel cell/chassis, lights, fenders, tie downs, lifting bail, front and rear jacks.

Optional CD4MCu stainless steel for abrasion and corrosion resistance.

Global Pump SoundGuard sound attenuated enclosure options.

Hose racks, accessory containers and other custom features available as required.

Wide range of suction and discharge fittings including Global Pump's own "QD" Quick Disconnect fittings and accessories.

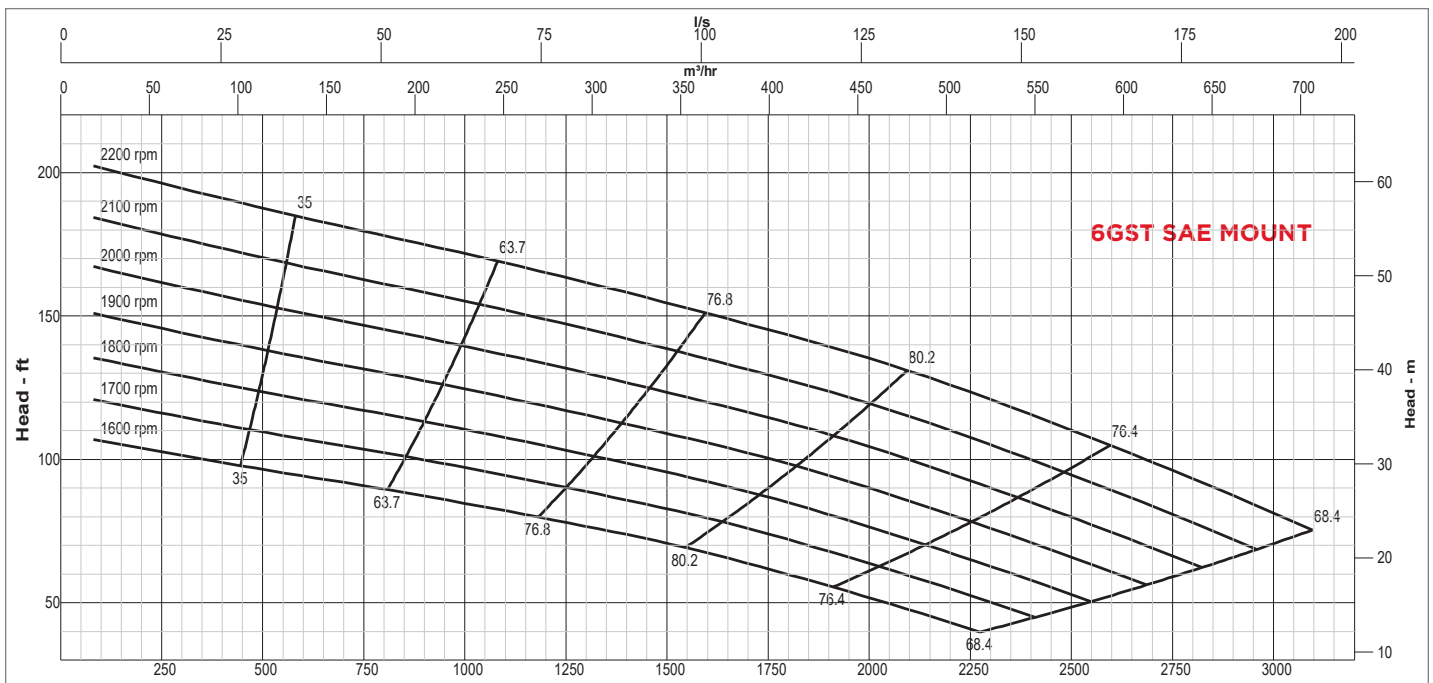


SPECIFICATIONS

Connections	6" (150 mm) ANSI Flanges
Max Pump Speed	2,200 rpm
Max Flow	3,000 gpm (681 m ³ /h)
Max Head	202' (61.2 m)
Max Static Priming Lift	28' (8.5 m)
Temperature Limit	160°F (70°C)
Solids Handling Capability	3" (75 mm)
Max Casing Pressure	125 psig (862 kPa)
Fuel Cell	83 gallons (314 liters)
Dry Weight	4,600 lbs

PUMP MATERIALS

Casing	Cast Iron (CD4MCu option)
Impeller	Cast Iron (CD4MCu option)
Wear Rings	CD4MCu and 316 SS
Bearing Housing	Cast Iron
Bearing Lubrication	Grease
Shaft	431 Stainless Steel
Seal	Cartridge w/Silicon Carbide Faces
Chassis/Fuel Cell	Steel
Non-Return Valve	Nitrile Fitted Cast Iron
Environmental Box (Optional)	Steel



GLOBAL PUMP
10162 East Coldwater Road, Davison, MI 48423
Tel - 810.653.4828 Fax - 810.658.0632
1.866.360.PUMP
www.globalpump.com